

Rollent



BELT CONVEYOR

ROLLER

STAND

PULLEY



PRODUCT CATALOGUE

PT. ROLLENT INDONESIA

Gresik Industrial Estate Kav. G 10-11
Gresik - East Java
Indonesia

Phone. (Hunting) +62-31-3990700 Fax. +62-31-3990800/900
Website: www.rollent.co.id Email: rollent@rollent.co.id

CONTENT

- 3 Company Overview
- 4 Type of Carrying
- 5 Type of Return
- 6 Photo Gallery
- 8 Product Classification
- 9 Shaft Slot
- 10 Carrier Roller
- 11 Impact Roller
- 12 HDPE Roller
- 13 Return Roller
- 14 Spiral Return Roller
- 15 Rubber Disc Return Roller
- 16 Carrier/Impact Stand
- 17 Return Roller Stand
- 18 V - Return Roller Stand
- 19 Transition Stand
- 20 Self Aligning Carrier
- 21 Self Aligning Return
- 22 Self Aligning V - Return
- 23 Drum Pulley



COMPANY OVERVIEW

PT. Rollent Indonesia is a company running its business in manufacturing conveyor rollers, pulleys and stand. Established in 2006, PT. Rollent Indonesia building the company specializing in active conveyors by using localized production in Indonesia.

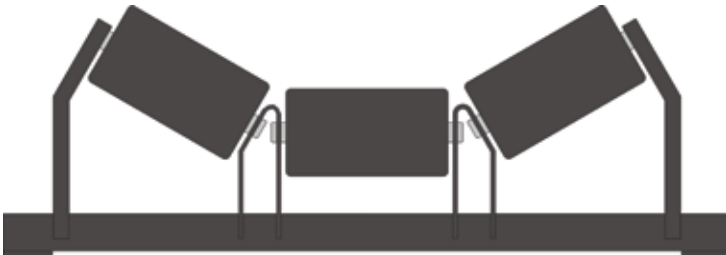
PT. Rollent Indonesia moves forward in commitment to the continuous improvement, on-going research and customer's satisfaction. Thus, develop and produce variety of qualified products which can be applied accordingly following the standard of ROLLENT or the condition required by customer. Also, improving capacities of production and selling competitive products with the best price.

The company has vision to be the leading company in conveyor business, to perfect, excellent and the best in the world. It has mission to focus the business strategy conducted based on quality, innovation and professional resources as standardized by Quality Management System ISO 9001:2008.

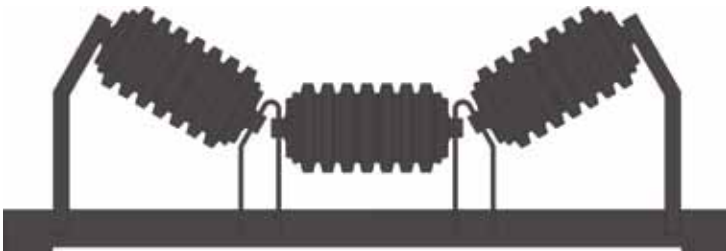
Our vision is to be Perfect, Excellent and The Best in The World



TYPE OF CARRYING



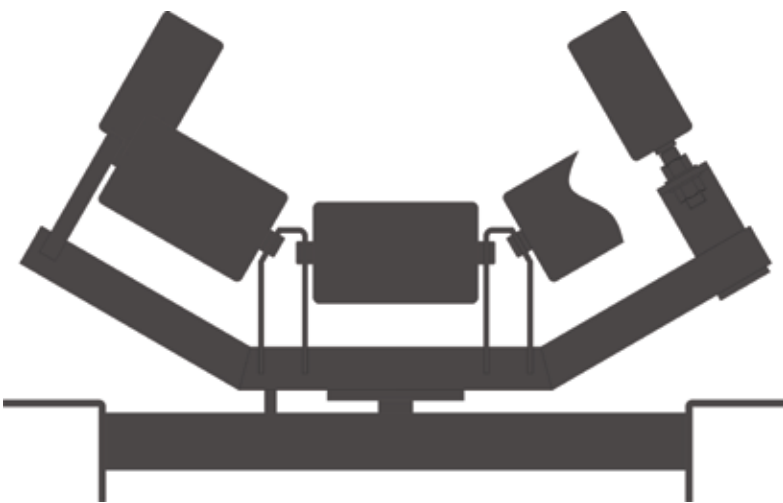
Throughing roller stand for general carrying service is produced with inclination degree of 20°, 30°, 35°, 45°



Throughing rubber impact roller stand protects belt by absorbing impact at loading and transfer point. It's produced with retractable design with inclination degree of 30°, 35°, 45°



Flat carrier roller stand used to bulk handling material such to prepare foundry sand, package and sort conveyor.



Throughing trainer stand automatically trains belt and protects edges from damage cause miss-alignment. It's produced with inclination degree of 30°, 35°, 45°

TYPE OF RETURN



Return roller carries the empty belt on return run.



Rubber Disc Return roller used when wet, sticky material tends to cling to the belt. Also used to avoid corrosion. It's produced in NR or SBR.



Spiral Return roller used to clean from materials that adhere to the belt. It's produced in spiral rubber.



Rigid frame V return roller trains the return belt, adds benefit when carrying more capacities. It's produced with inclination degree of 5°, 10° and 15°.



Training return roller automatically trains the belt return and protects edges from damage cause by belt miss-alignment.

PHOTO GALLERY



CARRIER ROLLER



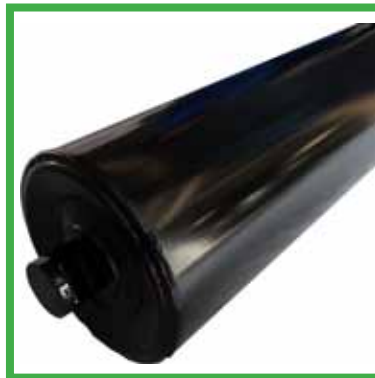
IMPACT ROLLER



HEAVY DUTY HDPE
CARRIER ROLLER



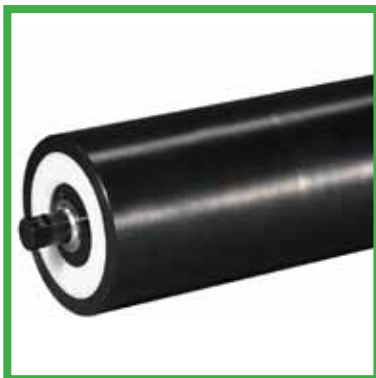
LIGHT DUTY HDPE
CARRIER ROLLER



RETURN ROLLER



RUBBER DISC RETURN ROLLER



HDPE RETURN ROLLER



SPIRAL RUBBER
RETURN ROLLER



GUIDE ROLLER

PHOTO GALLERY



CARRIER ROLLER STAND



IMPACT ROLLER STAND



SELF ALIGNING
CARRIER ROLLER



V - RUBBER DISC ROLLER STAND



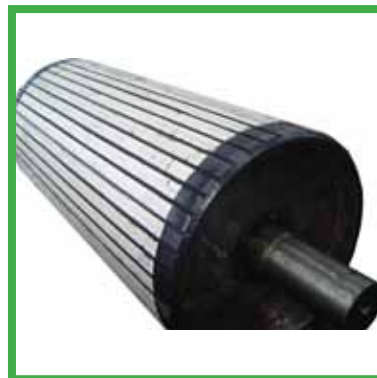
SELF ALIGNING
RETURN ROLLER



PULLEY WITH BEARING UNIT



HEAD PULLEY (KEY TYPE)



DRIVE PULLEY WITH CERAMIC
LAGGING



PULLEY WITH HERRINGBONE
GROOVE

PRODUCT CLASSIFICATION

CRS - 100 - 30 - A1 - 02

Description		Belt Width		Trough Angle	
CR	Carrier Roller	40	400	00	0°/Roller Only
IR	Impact Roller	45	450	05	5°
RR	Return Roller	50	500	10	10°
VR	V - Return Roller	60	600 Ø89.1	15	15°
RDR	Rubber Disc Return Roller	65	650	20	20°
SRR	Spiral Return Roller	61	600 Ø114.3	25	25°
GR	Guide Roller	75	750	30	30°
PEC	HDPE Carrier Roller	80	800	35	35°
PER	HDPE Return Roller	90	900	45	45°
CRS	Carrier Roller Stand	100	1000	Shaft Slot Type See page 9	
IRS	Impact Roller Stand	105	1050		
TRS	Transition Stand	120	1200	Bearing Type 02 Ball Bearing Series 62 03 Ball Bearing Series 63	
RRS	Return Roller Stand	140	1400		
VRS	V - Return Roller Stand	160	1600		
SACR	Self Aligning Carrier Roller	180	1800		
SARR	Self Aligning Return Roller	200	2000		
SAVR	Self Aligning V - Return Roller	220	2200		
HP	Head Pulley	240	2400		
DP	Drive Pulley				
TP	Tail Pulley				
BP	Bend Pulley				
SP	Snub Pulley				
TUP	Take-up Pulley				

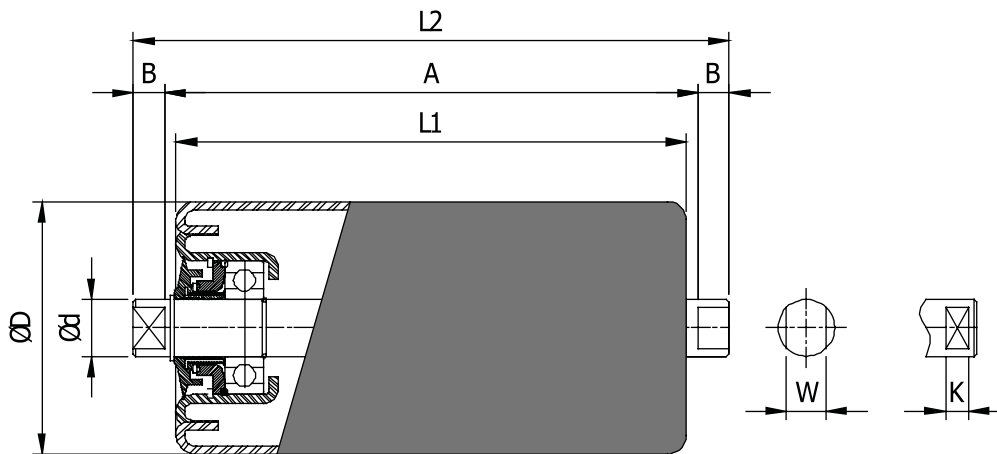
SHAFT SLOT TYPE

Type	Arrangement	Dimension					Type	Arrangement	Dimension				
		Ød	B	K	C	W			Ød	B	K	C	W
A1		20	11	8	3	14	A5		20	M8	-	-	
		25				18			25	M10	-	-	
		30	15	11	4	22			30	M12	-	-	
		35				25			35	M12	-	-	
		40				31			40	M14	-	-	
		50				42			50	M16	-	-	
A2		20	11	-	-	14	A6		20	-	-	-	
		25				18			25	-	-	-	
		30	15	-	-	22			30	-	-	-	
		35				25			35	-	-	-	
		40				31			40	-	-	-	
		50				42			50	-	-	-	
A3		20	11	8	-	14	A7		20	Ø as required			
		25	15	10	-	18							
		30	17	12	-	22							
		35	20	15	-	25							
		40	20	15	-	31							
		50	25	18	-	42							
A4		20	M16	-	-				20				
		25	M22	-	-								
		30	M24	-	-								
		35	M32	-	-								
		40	M36	-	-								
		50	M36	-	-								

CARRIER ROLLER

JIS STANDARD

* PT. Rollent Indonesia can supply all dimension with ISO/DIN/CEMA Standard (for more detail please log on to www.rollent.co.id)

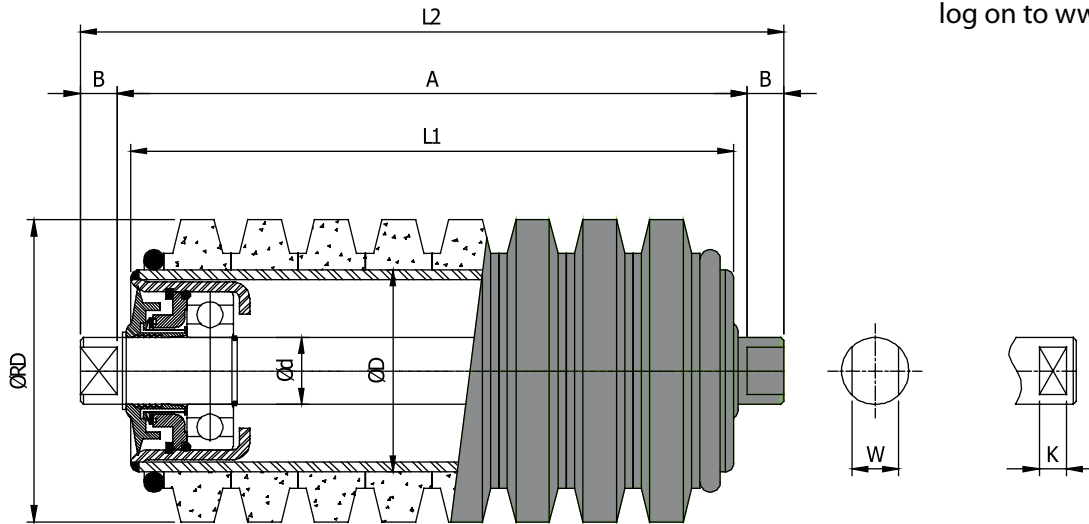


Belt Width	Type	Dimension								Bearing
		$\varnothing D$	$\varnothing d$	L_1	L_2	A	K	B	W	
400	CR-400	$\varnothing 89.1$	$\varnothing 20$	145	175	153	8	11	14	6204 zz
450	CR-450			165	195	173				
500	CR-500			180	210	188				
600	CR-600-1			210	240	218				
650	CR-650			225	255	233				
600	CR-600-2	$\varnothing 114.3$	$\varnothing 20$	210	240	218	11	15	18	6205 zz
750	CR-750			265	295	273				
800	CR-800			275	305	283				
900	CR-900			315	345	323				
1000	CR-1000	$\varnothing 139.8$	$\varnothing 25$	350	390	360	11	15	22	6206 zz
1050	CR-1050			370	410	380				
1200	CR-1200			420	460	430				
1400	CR-1400	$\varnothing 165.2$	$\varnothing 30$	500	540	510	11	15	25	6207 zz
1600	CR-1600			580	620	590				
1800	CR-1800			650	690	660				
2000	CR-2000			730	770	740				
2200	CR-2200			800	840	810				
2400	CR-2400	$\varnothing 40$	$\varnothing 35$	880	920	890	11	15	31	6308 zz

IMPACT ROLLER

JIS STANDARD

* PT. Rollent Indonesia can supply all dimension with ISO/DIN/CEMA Standard (for more detail please log on to www.rollent.co.id)

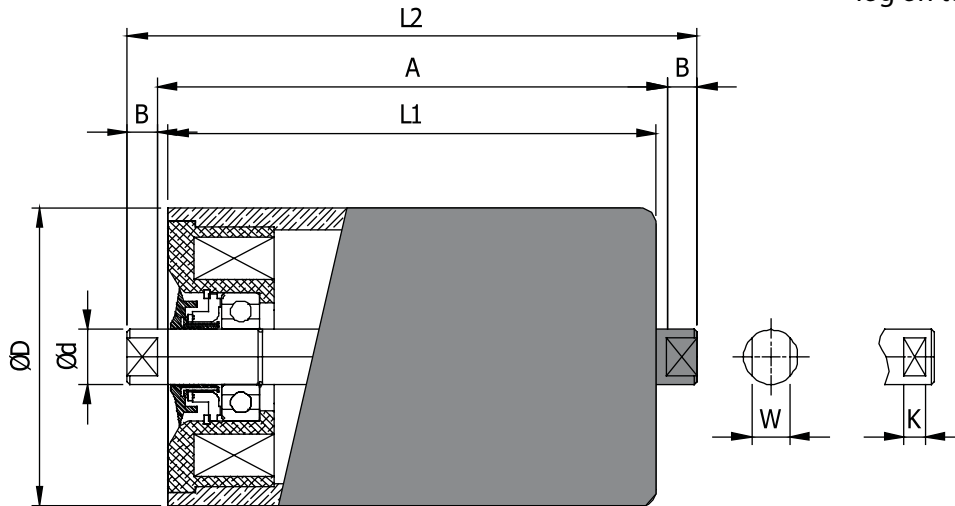


Belt Width	Type	Dimension									Bearing
		ØRD	ØD	Ød	L_1	L_2	A	K	B	W	
400	IR-400	$\text{Ø}90$	$\text{Ø}60.3$	$\text{Ø}20$	145	175	153	8	11	14	6204 zz
450	IR-450				165	195	173				
500	IR-500				180	210	188				
600	IR-600-1				210	240	218				
650	IR-650				225	255	233				
600	IR-600-2	$\text{Ø}115$	$\text{Ø}76.3$	$\text{Ø}20$	210	240	218	11	15	18	6205 zz
750	IR-750				265	295	273				
800	IR-800				275	305	283				
900	IR-900				315	345	323				
1000	IR-1000	$\text{Ø}140$	$\text{Ø}89.1$	$\text{Ø}25$	350	390	360	11	15	22	6206 zz
1050	IR-1050				370	410	380				
1200	IR-1200	$\text{Ø}166$	$\text{Ø}114.3$	$\text{Ø}30$	420	460	430	11	15	25	6207 zz
1400	IR-1400				500	540	510				
1600	IR-1600				580	620	590				
1800	IR-1800				650	690	660				
2000	IR-2000				730	770	740				
2200	IR-2200				800	840	810				
2400	IR-2400	$\text{Ø}40$	880	920	890	31	6308 zz				

HDPE ROLLER

JIS STANDARD

* PT. Rollent Indonesia can supply all dimension with ISO/DIN/CEMA Standard (for more detail please log on to www.rollent.co.id)

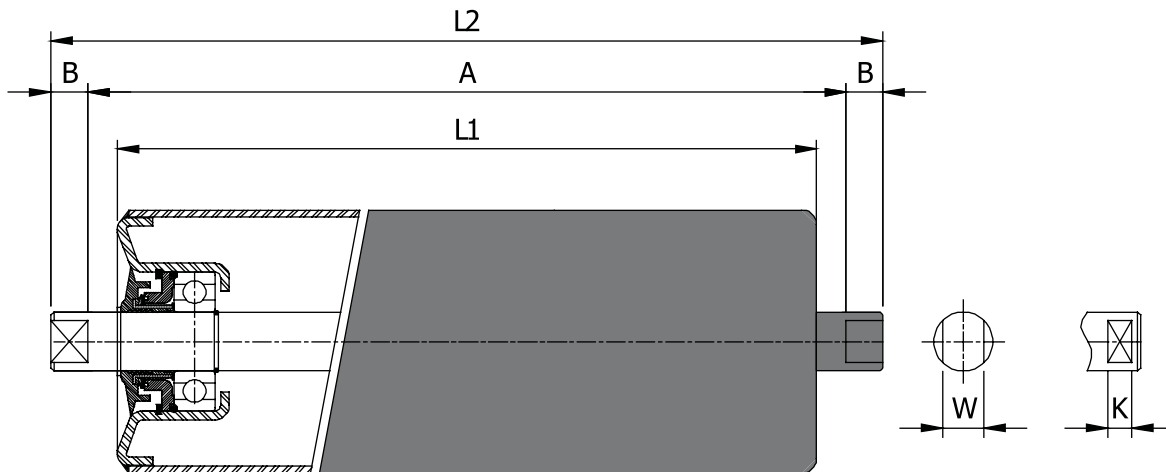


Belt Width	Dimension						HDPE CARRIER ROLLER			HDPE RETURN ROLLER				
	ØD	Ød	K	B	W	Bearing	Type	L1	L2	A	Type	L1	L2	A
400	Ø90	Ø20	8	12.5	14	6204 zz	PEC-400	145	175	153	PER-400	460	505	480
450							PEC-450	165	195	173	PER-450	510	555	530
500							PEC-500	180	210	188	PER-500	560	605	580
600							PEC-600-1	210	240	218	PER-600-1	660	705	680
650							PEC-650	225	255	233	PER-650	710	755	730
600	Ø110	Ø20	8	12.5	14	6204 zz	PEC-600-2	210	240	218	PER-600-2	660	705	680
750							PEC-750	265	295	273	PER-750	850	905	880
800							PEC-800	275	305	283	PER-800	900	955	930
900	Ø125	Ø20	8	12.5	14	6204 zz	PEC-900	315	345	323	PER-900	1000	1055	1030
1000							PEC-1000	350	390	360	PER-1000	1100	1162	1140
1050	Ø140	Ø25	11	16	18	6205 zz	PEC-1050	370	410	380	PER-1050	1150	1212	1180
1200							PEC-1200	420	460	430	PER-1200	1300	1362	1330
1400							PEC-1400	500	540	510	PER-1400	1510	1585	1550
1600	Ø160	Ø30	11	17.5	22	6206 zz	PEC-1600	580	620	590	PER-1600	1710	1785	1750
1800							PEC-1800	650	690	660	PER-1800	2000	2075	2040
2000		Ø35			25	6207 zz	PEC-2000	730	770	740	PER-2000	2200	2275	2240
2200							PEC-2200	800	840	810	PER-2200	2400	2475	2440
2400	Ø40	31	6308 zz	PEC-2400	880	920	890	PER-2400	2600	2675	2640			

RETURN ROLLER

JIS STANDARD

* PT. Rollent Indonesia can supply all dimension with ISO/DIN/CEMA Standard (for more detail please log on to www.rollent.co.id)

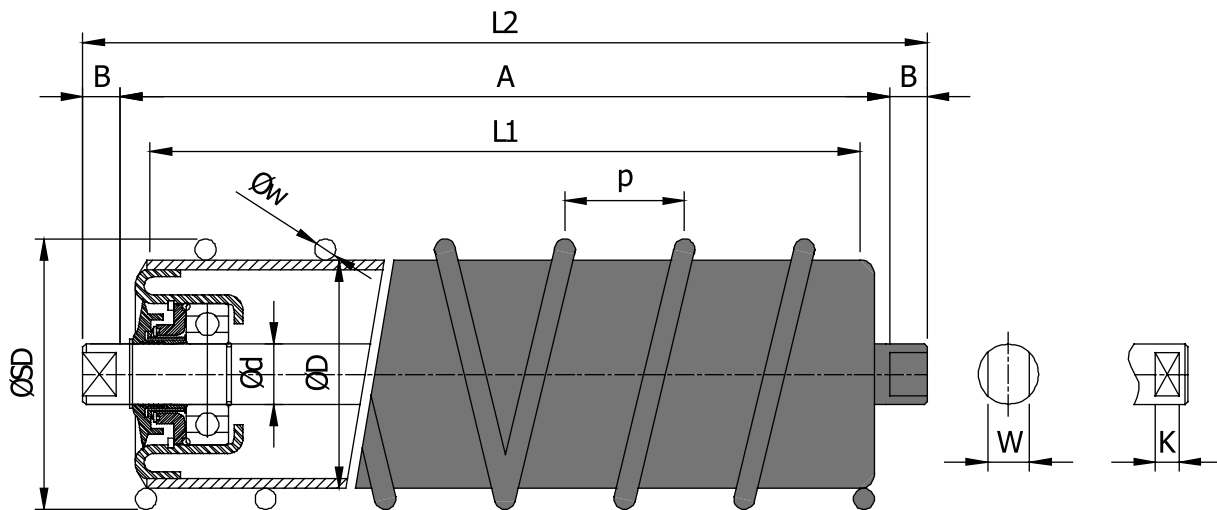


Belt Width	Dimension						RETURN ROLLER				V - RETURN ROLLER				
	ØD	Ød	K	B	W	Bearing	Type	L1	L2	A	Type	L1	L2	A	
400	Ø89.1	Ø20	8	12.5	14	6204 zz	RR-400	460	505	480	VR-400	220	250	228	
450							RR-450	510	555	530	VR-450	245	275	253	
500							RR-500	560	605	580	VR-500	270	300	278	
600							RR-600-1	660	705	680	VR-600-1	320	350	328	
650							RR-650	710	755	730	VR-650	365	395	373	
600	Ø114.3						RR-600-2	660	705	680	VR-600-2	320	350	328	
750							RR-750	850	905	880	VR-750	415	445	423	
800							RR-800	900	955	930	VR-800	440	475	448	
900							RR-900	1000	1055	1030	VR-900	490	520	498	
1000	Ø139.8	Ø25	11	16	18	6205 zz	RR-1000	1100	1162	1140	VR-1000	540	580	550	
1050							RR-1050	1150	1212	1180	VR-1050	565	605	575	
1200							RR-1200	1300	1362	1330	VR-1200	640	680	650	
1400	Ø165.2	Ø30	11	17.5	22	6206 zz	RR-1400	1510	1585	1550	VR-1400	750	790	760	
1600							RR-1600	1710	1785	1750	VR-1600	850	890	860	
1800		Ø35			17.5	25	6207 zz	RR-1800	2000	2075	2040	VR-1800	980	1020	990
2000								RR-2000	2200	2275	2240	VR-2000	1080	1120	1090
2200								RR-2200	2400	2475	2440	VR-2200	1180	1220	1190
2400	Ø40	17.5	31	6308 zz	RR-2400	2600	2675	2640	VR-2400	1280	1320	1290			

SPIRAL RETURN ROLLER

JIS STANDARD

* PT. Rollent Indonesia can supply all dimension with ISO/DIN/CEMA Standard (for more detail please log on to www.rollent.co.id)

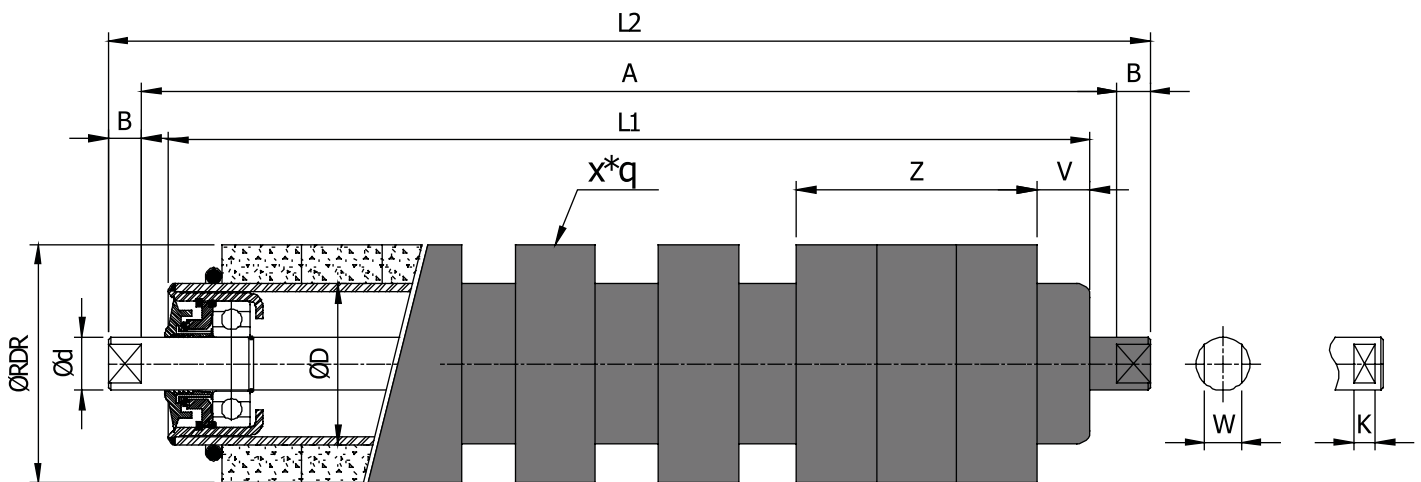


Belt Width	Type	Dimension											Bearing
		ØSD	ØD	Ød	Øw	p	L1	L2	A	K	B	W	
400	SRR-400	Ø90.3	Ø76.3	Ø20	7	40	460	505	480	8	12.5	14	6204 zz
450	SRR-450						510	555	530				
500	SRR-500						560	605	580				
600	SRR-600-1						660	705	680				
650	SRR-650						710	755	730				
600	SRR-600-2	Ø115.1	Ø89.1	Ø25	13	50	660	705	680	11	16	18	6205 zz
750	SRR-750						850	905	880				
800	SRR-800						900	955	930				
900	SRR-900						1000	1055	1030				
1000	SRR-1000	Ø140.3	Ø114.3	Ø30	13	60	1100	1162	1140	11	17.5	22	6206 zz
1050	SRR-1050						1150	1212	1180				
1200	SRR-1200						1300	1362	1330				
1400	SRR-1400	Ø165.8	Ø139.8	Ø35	13	65	1510	1585	1550	11	17.5	25	6207 zz
1600	SRR-1600						1710	1785	1750				
1800	SRR-1800						2000	2075	2040				
2000	SRR-2000						2200	2275	2240				
2200	SRR-2200						2400	2475	2440				
2400	SRR-2400			Ø40			2600	2675	2640		31	6308 zz	

RUBBER DISC ROLLER

JIS STANDARD

* PT. Rollent Indonesia can supply all dimension with ISO/DIN/CEMA Standard (for more detail please log on to www.rollent.co.id)

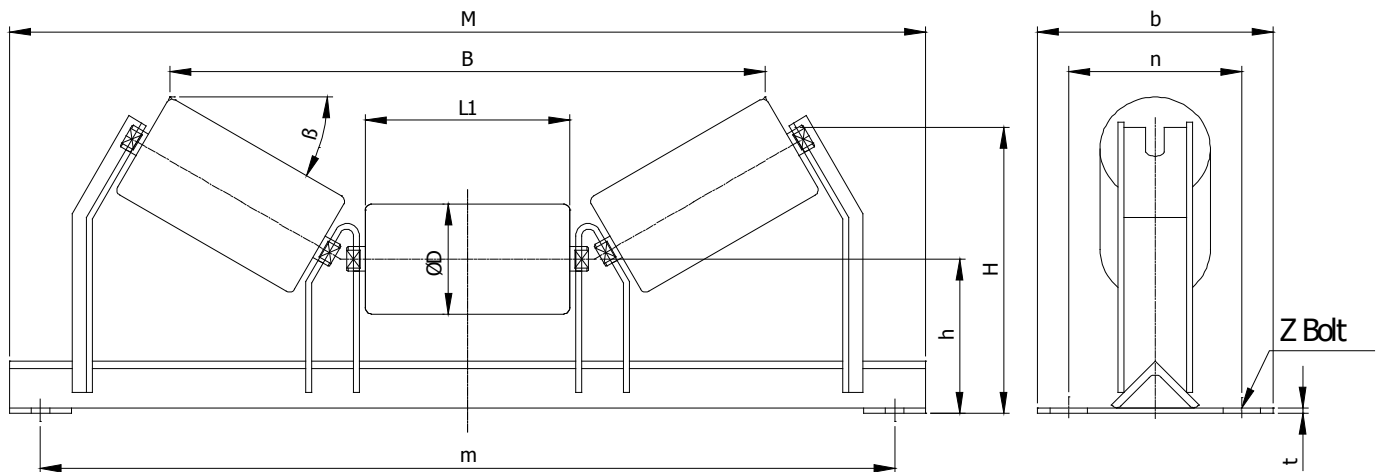


Belt Width	Type	Dimension											
		ØRDR	ØD	Ød	v	z	L1	L2	A	K	B	W	X * q
400	RDR-400	Ø90	Ø60.3	Ø20	20	90	460	505	480	8	12.5	14	30 * 2
450	RDR-450						510	555	530				30 * 3
500	RDR-500						560	605	580				30 * 3
600	RDR-600-1						660	705	680				30 * 4
650	RDR-650	Ø115	Ø76.3	Ø20	25	120	710	755	730	11	16	18	30 * 5
600	RDR-600-2						660	705	680				30 * 3
750	RDR-750						850	905	880				30 * 5
800	RDR-800						900	955	930				30 * 5
900	RDR-900	Ø140	Ø89.1	Ø25	25	160	1000	1055	1030	11	17.5	22	30 * 6
1000	RDR-1000						1100	1162	1140				40 * 5
1050	RDR-1050						1150	1212	1180				40 * 5
1200	RDR-1200						1300	1362	1330				40 * 6
1400	RDR-1400	Ø166	Ø114.3	Ø30	200	200	1510	1585	1550	11	17.5	25	50 * 5
1600	RDR-1600						1710	1785	1750				50 * 5
1800	RDR-1800						2000	2075	2040				50 * 6
2000	RDR-2000						2200	2275	2240				50 * 7
2200	RDR-2200	Ø40					2400	2475	2440	11	17.5	31	50 * 8
2400	RDR-2400						2600	2675	2640				50 * 9

CARRIER / IMPACT STAND

JIS STANDARD

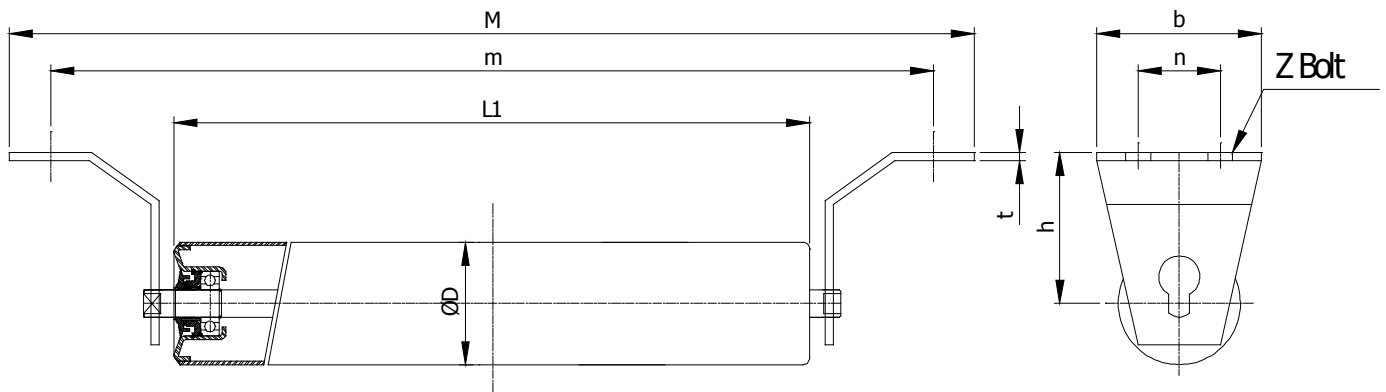
* PT. Rollent Indonesia produces retractable for impact roller stand



Belt Width	Type	Dimension																		
		$\varnothing D$	L1	m	M	h	n	b	t	z	$\beta = 20^\circ$		$\beta = 30^\circ$		$\beta = 35^\circ$		$\beta = 45^\circ$		Angle	
											B	H	B	H	B	H	B	H		
400	CRS-400	89.1	145	640	690	125	140	190	6	M12	465	223	426	246	-	-	-	-	L50xt6	
450	CRS-450		165	690	740															
500	CRS-500		180	740	790															
600	CRS-600-1		210	840	890	140	150	200	6		652	261	604	294	-	-	-	-		L60xt6
650	CRS-650	225	890	940																
600	CRS-600-2	114.3	210	840	890	150	160	210	6		643	282	610	317	589	333	546	364	L75xt6	
750	CRS-750		265	1040	1090															
800	CRS-800		275	1090	1140															
900	CRS-900		315	1190	1240															
1000	CRS-1000	139.8	350	1290	1340	180	180	230	6		1057	374	998	431	961	456	882	504	L90xt8	
1050	CRS-1050		370	1340	1390															
1200	CRS-1200		420	1490	1540															
1400	CRS-1400	165.2	500	1730	1790	250	280	340	9	M16	1490	508	1414	589	1370	627	1261	697	L100xt9	
1600	CRS-1600		580	1930	1990															
1800	CRS-1800		650	2220	2280	280	330	390	9		1720	535	1633	629	1581	673	1454	754		
2000	CRS-2000		730	2420	2480															
2200	CRS-2200		800	2620	2680	300	330	390	12		M20	-	-	2234	789	2161	849	1985	959	L130xt12
2400	CRS-2400		880	2820	2880															

RETURN ROLLER STAND

JIS STANDARD



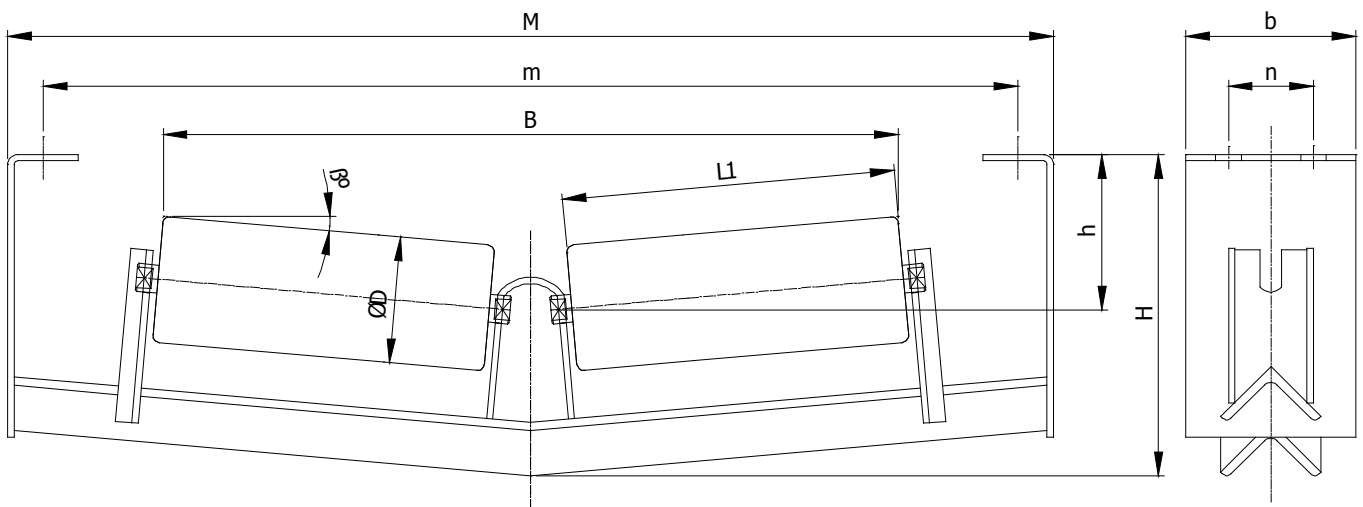
Belt Width	Type	Dimension								
		ØD	L1	m	M	h	n	b	t	z
400	RRS-400	Ø89.1	460	640	690	110	60	120	4.5	M12
450	RRS-450		510	690	740					
500	RRS-500		560	740	790					
600	RRS-600-1		660	840	890	110	60	120	6	
650	RRS-650		710	890	940					
600	RRS-600-2	Ø114.3	660	840	890	110	60	120	6	
750	RRS-750		850	1040	1090					
800	RRS-800		900	1090	1140					
900	RRS-900		1000	1190	1240					
1000	RRS-1000	Ø139.8	1100	1290	1340	130	100	170	6	
1050	RRS-1050		1150	1340	1390					
1200	RRS-1200		1300	1490	1540					
1400	RRS-1400	Ø165.2	1510	1730	1790	160	120	200	9	M16
1600	RRS-1600		1710	1930	1990					
1800	RRS-1800		2000	2220	2280					
2000	RRS-2000		2200	2420	2480	160	120	200	9	
2200	RRS-2200		2400	2620	2680					
2400	RRS-2400	2600	2820	2880	180	150	250	9	M20	

V - RETURN ROLLER STAND

JIS STANDARD

05°

* PT. Rollent Indonesia produces with inclination degree of 10°, 15°

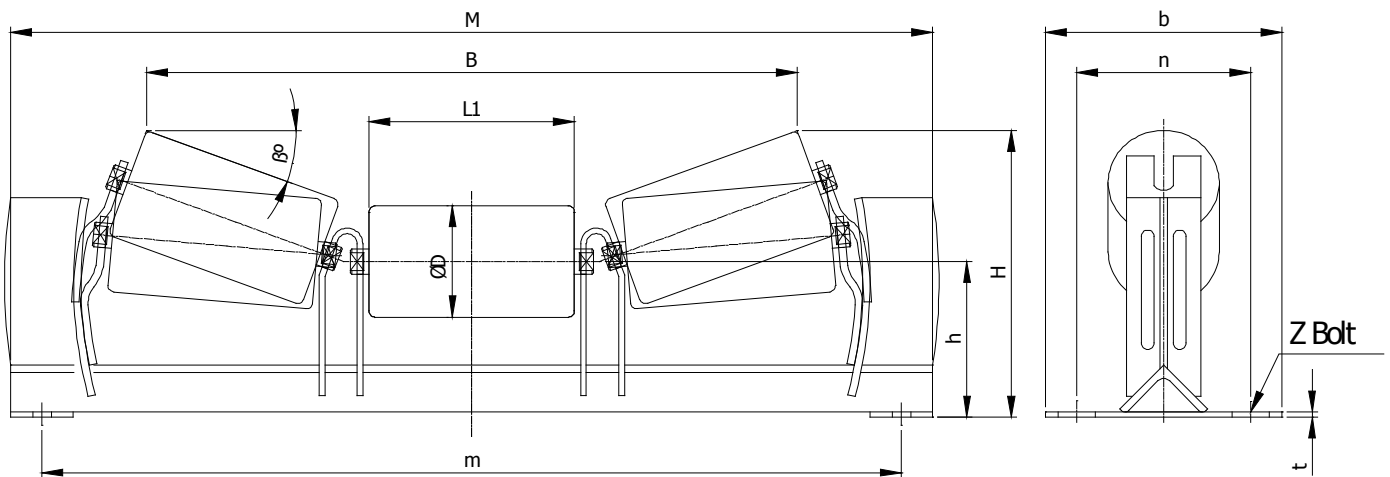


Belt Width	Type	Dimension											
		ØD	L1	m	M	h	n	b	H	B	t	z	Angle
400	VRS-400	Ø89.1	220	640	690	110	60	120	227	470	4.5	M12	L50xt6
450	VRS-450		245	690	740				228	520			
500	VRS-500		270	740	790				228	570			
600	VRS-600-1		320	840	890				229	670			
650	VRS-650	Ø114.3	365	890	940	110	60	120	229	759	6	M12	L60xt6
600	VRS-600-2		320	840	890				229	677			
750	VRS-750		415	1040	1090				231	867			
800	VRS-800		440	1090	1140				232	916			
900	VRS-900	Ø139.8	490	1190	1240	110	60	120	233	1016	6	M12	L75xt6
1000	VRS-1000		540	1290	1340				275	1123			
1050	VRS-1050		565	1340	1390				276	1173			
1200	VRS-1200		640	1490	1540				277	1323			
1400	VRS-1400	Ø165.2	750	1730	1790	160	120	200	340	1550	9	M16	L100xt9
1600	VRS-1600		850	1930	1990				343	1749			
1800	VRS-1800		980	2220	2280				346	2008			
2000	VRS-2000		1080	2420	2480				349	2207			
2200	VRS-2200	Ø165.2	1180	2620	2680	160	120	200	392	2416	9	M20	L130xt12
2400	VRS-2400		1280	2820	2880				180	150			

TRANSITION STAND

JIS STANDARD

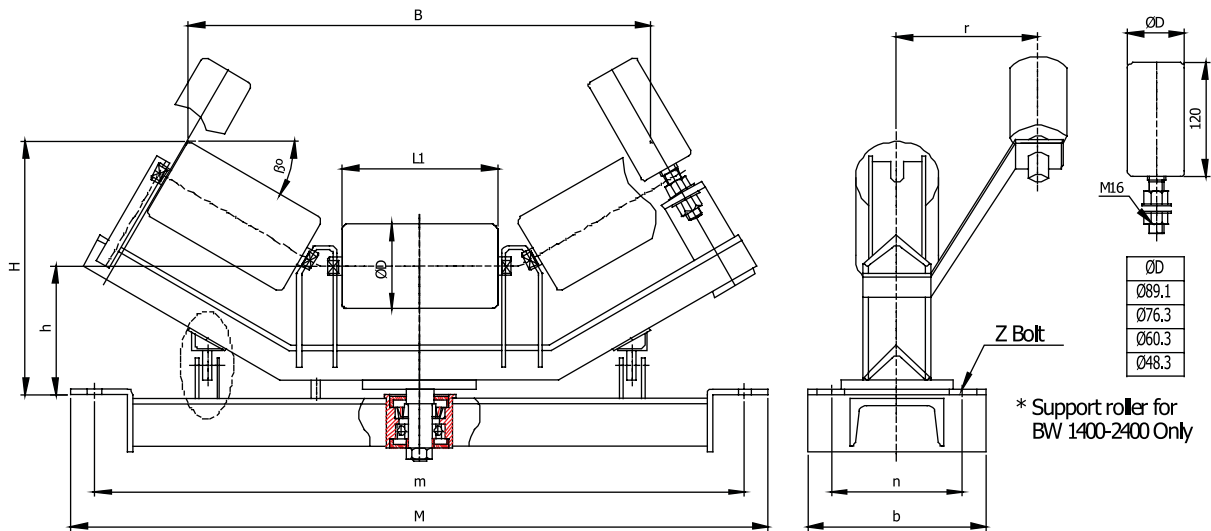
5°~20°
5°~30°



Belt Width	Type	Dimension																		
		$\varnothing D$	L1	m	M	h	n	b	t	$\beta = 5^\circ$		$\beta = 20^\circ$		$\beta = 30^\circ$		z	Angle			
										B	H	B	H	B	H					
400	TRS-400	$\varnothing 89.1$	145	640	690	125	140	190	6	506	184	465	223	426	246	M12	L50xt6			
450	TRS-450		165	690	740					566	186	522	230	481	256					
500	TRS-500		180	740	790					611	187	565	235	522	264					
600	TRS-600-1		210	840	890					700	204	652	261	604	294					
650	TRS-650	225	890	940	140	150	200	6	744	205	695	266	640	302	L60xt6					
600	TRS-600-2	210	840	890					698	227	643	282	610	317						
750	TRS-750	265	1040	1090					150	160	210	6	863	232			802	301	760	344
800	TRS-800	275	1090	1140									874	251			830	304	787	349
900	TRS-900	315	1190	1240	1012	236	946	318					897	369						
1000	TRS-1000	$\varnothing 139.8$	350	1290	1340	180	180	230	6	1135	282	1057	374	998	431		L90xt8			
1050	TRS-1050		370	1340	1390					1195	284	1115	381	1053	441					
1200	TRS-1200		420	1490	1540					1344	288	1259	398	1190	466					
1400	TRS-1400	$\varnothing 165.2$	500	1730	1790	250	280	340	9	1592	378	1490	508	1414	589	M16	L100xt9			
1600	TRS-1600		580	1930	1990					1831	385	1720	535	1633	629					
1800	TRS-1800		650	2220	2280	280	330	390	9	2040	421	1922	589	1824	694					
2000	TRS-2000		730	2420	2480					2280	428	2152	617	2042	734					
2200	TRS-2200		800	2620	2680					300	330	390	12	2489	454		2210	667	2234	789
2400	TRS-2400	880	2820	2880	2729	461	2430	795	2452					829	M20	L130xt12				

SELF ALIGNING CARRIER

JIS STANDARD

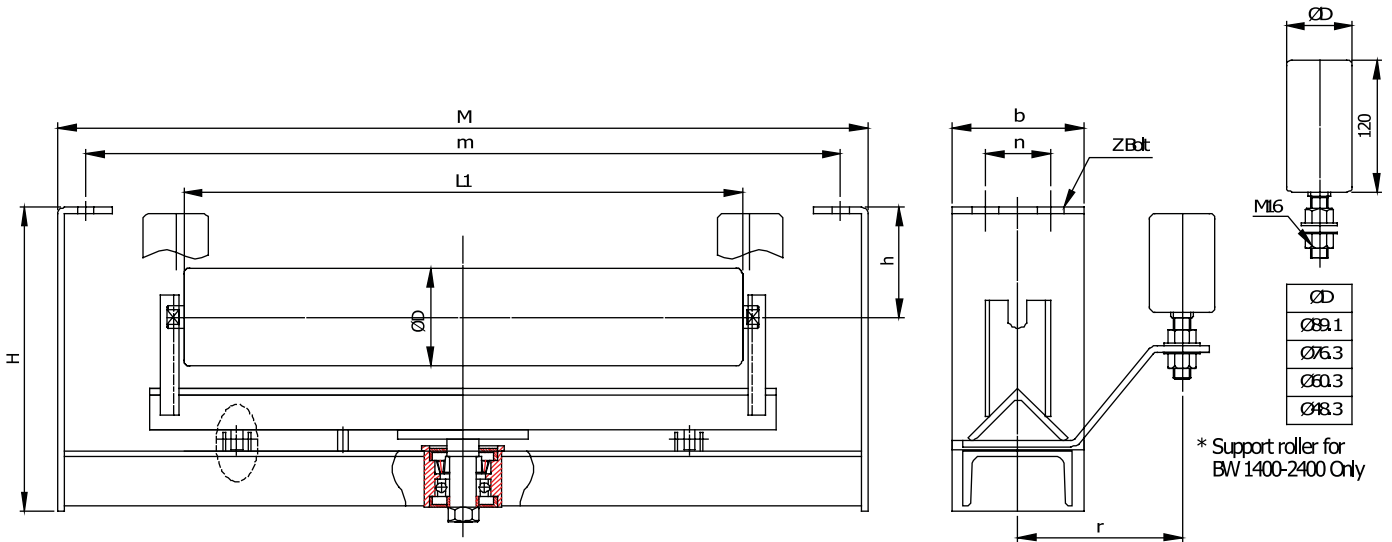


Belt Width	Type	Dimension																Channel	
		ØD	L1	m	M	h	n	b	t	r	β = 20°		β = 30°		β = 35°		β = 45°		
											B	H	B	H	B	H	B		H
400	SACR-400	89.1	145	640	690	135	140	190	6	150	535	321	465	349	-	-	-	-	100x50x5
450	SACR-450		165	690	740						583	326	511	356	-	-	-	-	
500	SACR-500		180	740	790						636	333	561	366	-	-	-	-	
600	SACR-600-1		210	840	890						731	360	651	399	-	-	-	-	
650	SACR-650		225	890	940						774	365	692	406	-	-	-	-	
600	SACR-600-2	114.3	210	840	890	150	150	200	6	180	741	386	664	427	625	445	546	477	
750	SACR-750		265	1040	1090						870	401	797	449	754	470	665	523	
800	SACR-800		275	1090	1140						898	404	824	454	770	475	689	530	
900	SACR-900		315	1190	1240						1014	418	933	474	885	499	785	544	
1000	SACR-1000		350	1290	1340						1137	473	1045	535	992	563	880	613	
1050	SACR-1050	139.8	370	1340	1390	190	180	230	6	180	1195	480	1100	545	1045	575	928	527	125x65x6
1200	SACR-1200		420	1490	1540						1339	497	1237	570	1177	603	1049	662	
1400	SACR-1400		500	1730	1790						1515	594	1413	676	1355	714	1220	782	
1600	SACR-1600	165.2	580	1930	1990	260	280	340	9	250	1718	617	1605	709	1542	752	1392	828	150x75x6
1800	SACR-1800		650	2220	2280						1910	669	1788	771	1718	819	1553	904	
2000	SACR-2000		730	2420	2480						2103	689	1972	801	1896	853	1718	946	
2200	SACR-2200		800	2620	2680						-	-	2163	856	2081	914	1887	1016	200x80x7
2400	SACR-2400		880	2820	2880						-	-	2382	896	2292	960	2080	1072	

Z Bolt : M12 for BW 400-1200
M16 for BW 1400-2000
M20 for BW 2200-2400

SELF ALIGNING RETURN

JIS STANDARD



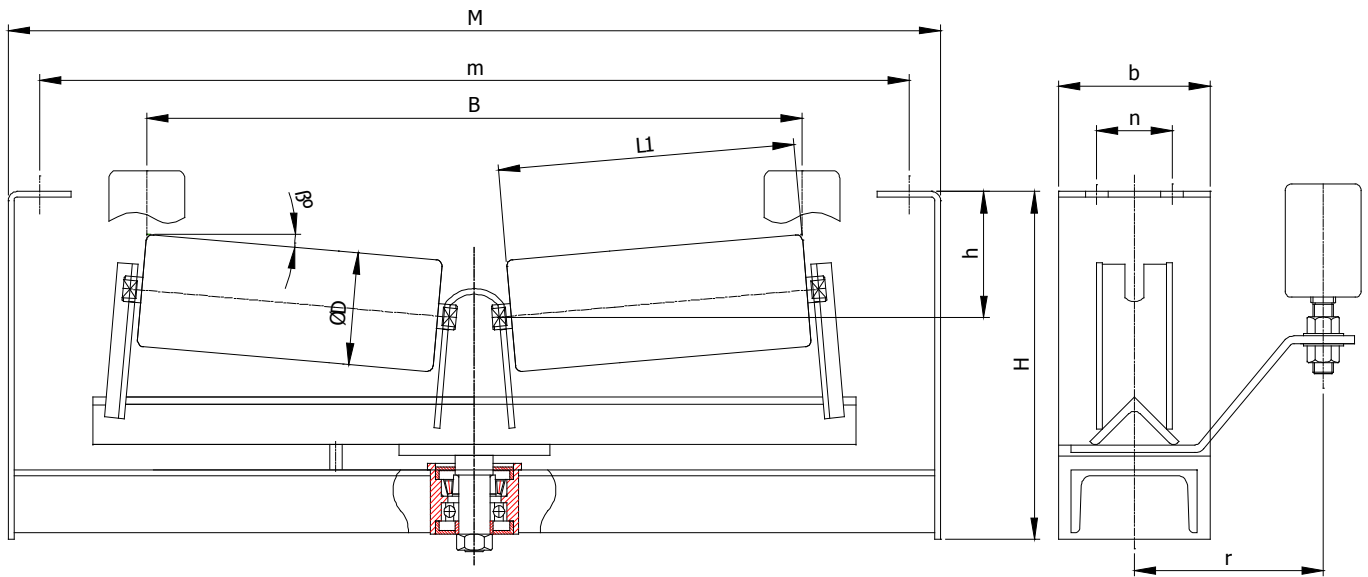
Belt Width	Type	Dimension										z	Channel						
		ØD	L1	m	M	h	n	b	t	r	H								
400	SARR-400	Ø89.1	460	640	690	100	60	120	6	150	290	M12	100x50x5						
450	SARR-450		510	690	740														
500	SARR-500		560	740	790														
600	SARR-600-1		660	840	890														
650	SARR-650		710	890	940														
600	SARR-600-2	Ø114.3	660	840	890	100	60	120	6	180	305								
750	SARR-750		850	1040	1090						335								
800	SARR-800		900	1090	1140														
900	SARR-900		1000	1190	1240														
1000	SARR-1000	Ø139.8	1100	1290	1340	120	100	170	6	180	380			M12	125x65x6				
1050	SARR-1050		1150	1340	1390														
1200	SARR-1200		1300	1490	1540														
1400	SARR-1400	Ø165.2	1510	1730	1790	160	120	200	6	250	530	M16	150x75x6						
1600	SARR-1600		1710	1930	1990														
1800	SARR-1800		2000	2220	2280														
2000	SARR-2000		2200	2420	2480														
2200	SARR-2200		2400	2620	2680						180		150	250	9	250	560	M20	200x80x7
2400	SARR-2400		2600	2820	2880														

SELF ALIGNING V - RETURN

JIS STANDARD

05°

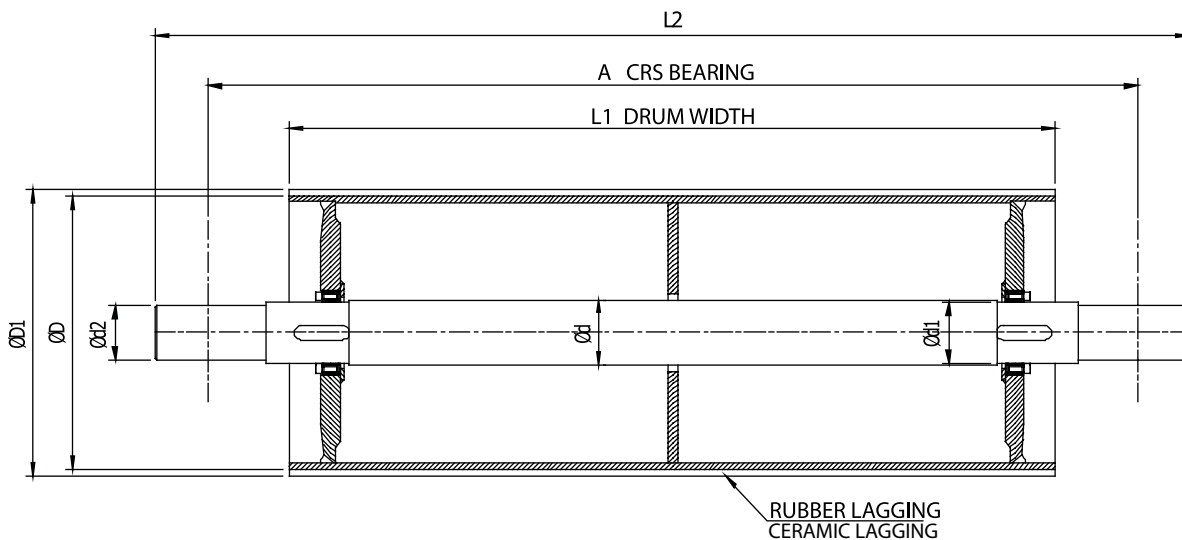
* PT. Rollent Indonesia produces with inclination degree of 10°, 15°



Belt Width	Type	Dimension											z	Channel		
		ØD	L1	m	M	h	n	b	t	r	β = 5°					
											B	H				
400	SAVR-400	89.1	220	640	690	100	60	120	6	150	584	290	M12	100x50x5		
450	SAVR-450		245	690	740						634					
500	SAVR-500		270	740	790						684					
600	SAVR-600-1		320	840	890						783					
650	SAVR-650	365	890	940	872	305										
600	SAVR-600-2	114.3	320	840	890	100	60	120	6	180	800	345				
750	SAVR-750		415	1040	1090						950					
800	SAVR-800		440	1090	1140						999					
900	SAVR-900		490	1190	1240						1099					
1000	SAVR-1000	139.8	540	1290	1340	120	100	170	6	180	1217	390			M16	125x65x6
1050	SAVR-1050		565	1340	1390						1267					
1200	SAVR-1200		640	1490	1540						1416					
1400	SAVR-1400	165.2	750	1730	1790	160	120	200	6	250	1614	550	M16	150x75x6		
1600	SAVR-1600		850	1930	1990						1813					
1800	SAVR-1800		980	2220	2280						2022	570				
2000	SAVR-2000		1080	2420	2480						2222					
2200	SAVR-2200		1180	2620	2680						2431	590			M20	200x80x7
2400	SAVR-2400		1280	2820	2880						2630					

DRUM PULLEY

JIS STANDARD



Belt Width	Drum length of Pulley	
	mm	Inch
400	500	19
450	550	21
500	600	24
600	700	28
750	900	36
800	1000	39
900	1100	43
1000	1200	47
1050	1250	49
1200	1400	55
1400	1600	63
1600	1800	71
1800	2000	78
2000	2200	87
2200	2400	95
2400	2600	102

PT. Rollent Indonesia produces a wide variety of pulleys which is designed with high quality to meet the standard of CEMA. Steel rim, hub, end disc are combined into an integral component by continuous welded bond to maximize pulley's strength, balance, and concentricity.

Drum pulley is designed by standard straight tube which can also designed with crown tube depended on customer's demand.

Standard design of pulley:

- Key type
- Power Lock
- Taper Lock

Lagging Type

- Hot vulcanized lagging
- Ceramic lagging



PT. ROLLENT INDONESIA

Gresik Industrial Estate Kav. G 10-11

Gresik - East Java

Indonesia

Phone. (Hunting) +62-31-3990700 Fax. +62-31-3990800/900

Website: www.rollent.co.id Email: rollent@rollent.co.id